

Packing List

In addition to this guide, the package includes the following items:



ViewPAC

- VP-2201-CE7
- VP-3201-CE7
- VP-4201-CE7
- VP-5201-CE7
- VP-6201-CE7



Panel clip * 4



M4 x 30L Screw * 4



**microSD Card and
microSD to SD Adapter**



**Touch
Pen**



**Screw
Driver**

Technical Support

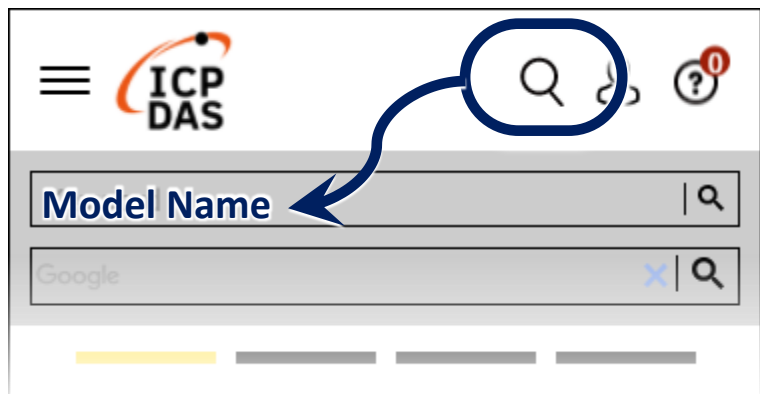
service@icpdas.com

www.icpdas.com

Resources

How to search for drivers, manuals and spec information on ICP DAS website.

- For Mobile Web



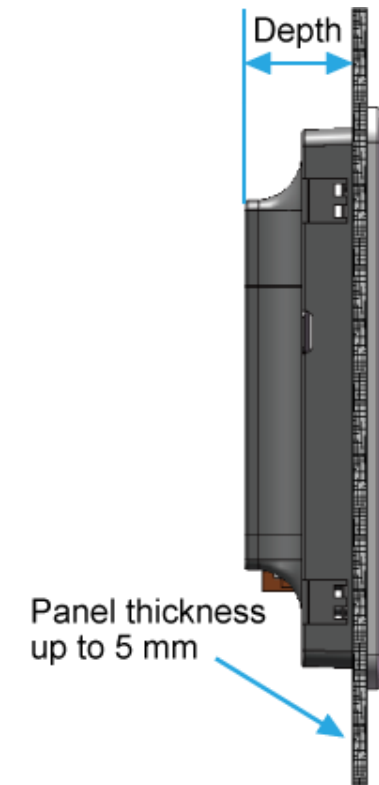
- For Desktop Web



1 Mounting the VP-x201-CE7

The VP-X201-CE7 can be mounted on a panel of maximum thickness 5 mm. Adequate access space can be available at the rear of the instrument panel for wiring and servicing purposes.

Models	Depth
VP-2201-CE7	32.0 mm
VP-3201-CE7	51.1 mm
VP-4201-CE7	41.1 mm
VP-5201-CE7	51.0 mm
VP-6201-CE7	51.3 mm



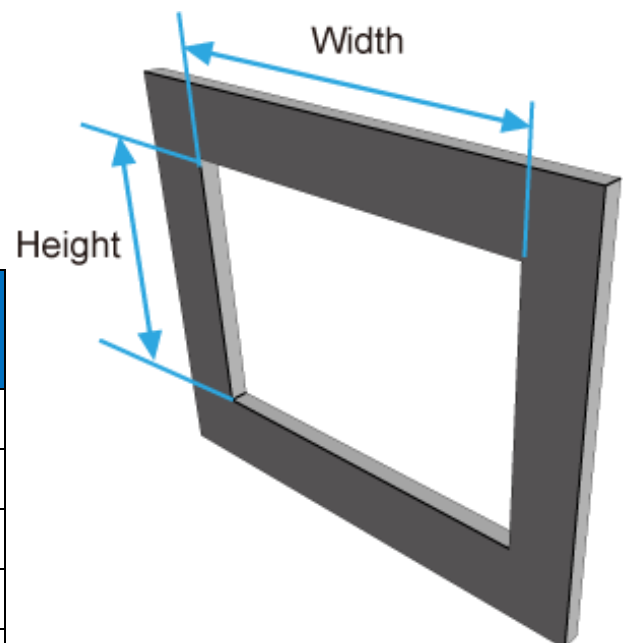
Tips & Warnings



To ensure proper ventilation for the VP-X201-CE7, leave a minimum of 50 mm space between the top and bottom edges of the VP-X201-CE7 and the enclosure panels.

- 1) Prepare the panel and cut the hole to the specified size

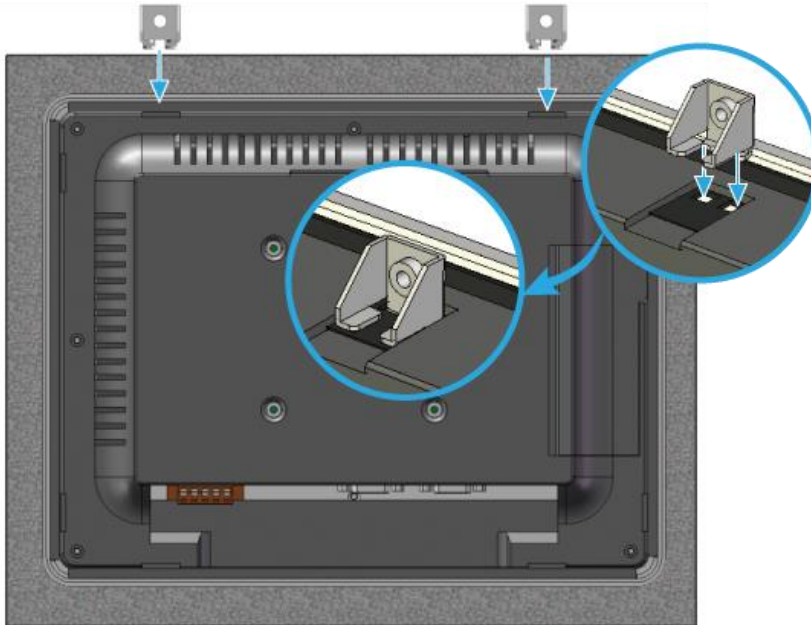
Models	Panel Cut-Out (Width x Height)
VP-2201-CE7	200 x 133 mm, ± 1 mm
VP-3201-CE7	234 x 192 mm, ± 1 mm
VP-4201-CE7	276 x 214 mm, ± 1 mm
VP-5201-CE7	309 x 240 mm, ± 1 mm
VP-6201-CE7	362 x 287 mm, ± 1 mm



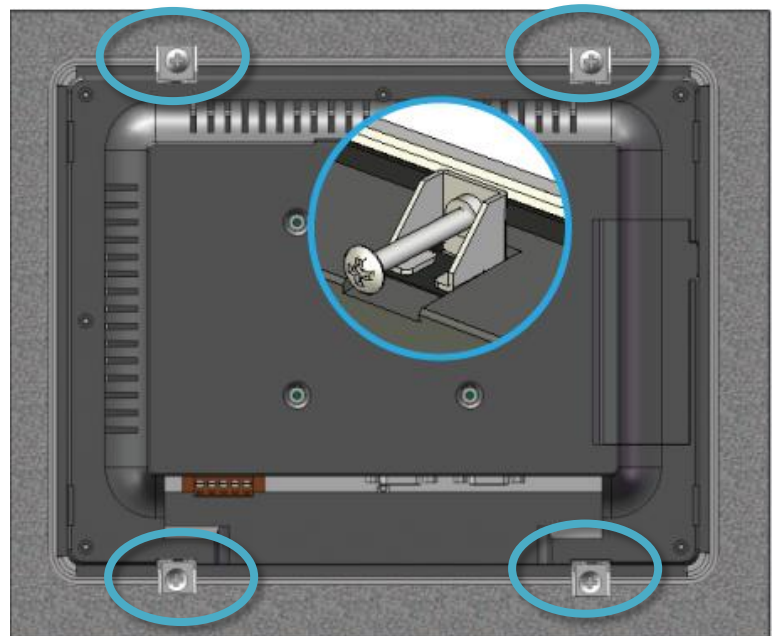
2) Attach the VP-X201-CE7 to the cut-out hole



3) Insert the panel mounting clips into the upper and lower ventilation holes



4) Screw the panel mounting clips to the panel.



Tips & Warnings

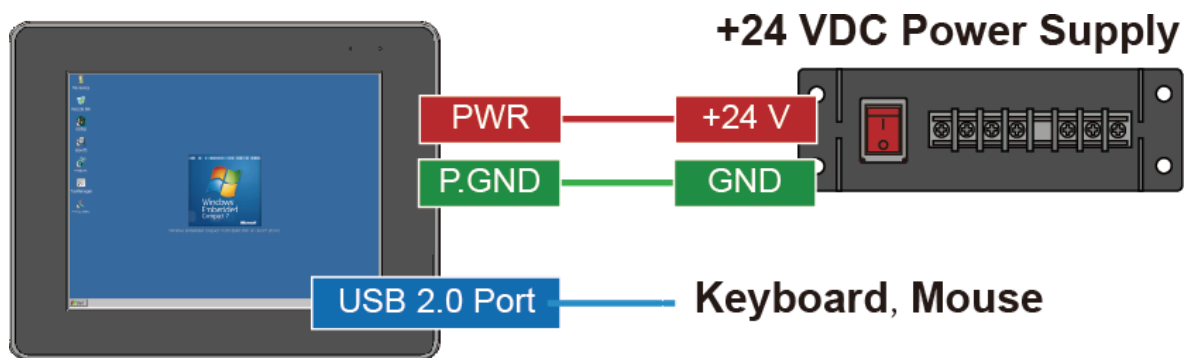


Recommended Screw Torque: 3.4 ~ 4.5 kgf-cm.

2 Connecting to PC, Monitor and Power Supply

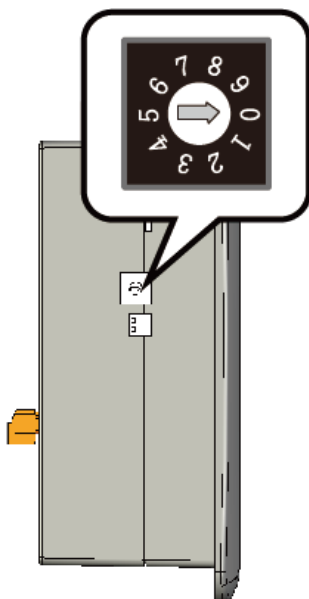
The VP-X201-CE7 provides a variety of communication interface to suit a range of application. Here is a simple application for using the VP-X201-CE7.

- 1) Connect the positive terminal (+) of the power supply to the terminal PWR1/2 and the negative terminal (-) of the power supply to the P.GND
- 2) Connect the USB mouse or the USB keyboard to the USB port



3 Configuring the Boot Mode

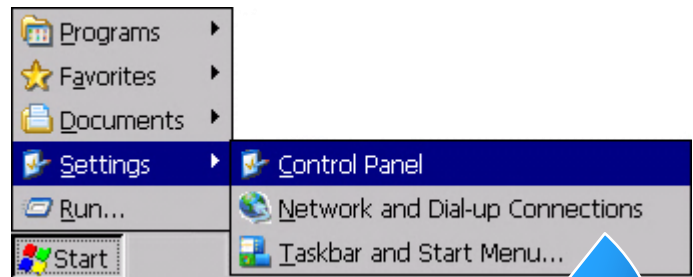
Before starting any installation, be sure that the switch is placed in the “0” position.



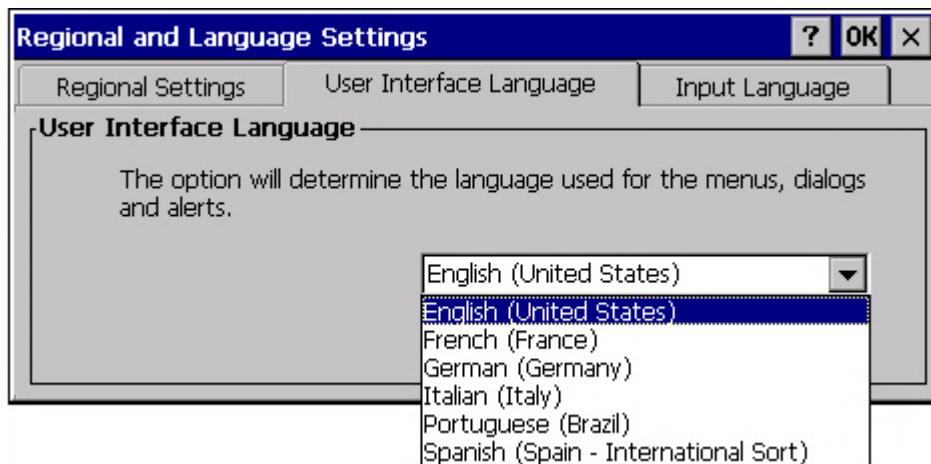
4 Changing the User Interface Language

The Regional and Language Settings is a Windows CE functionality that allows users to change the VP-X201-CE7 user interface with your native language.

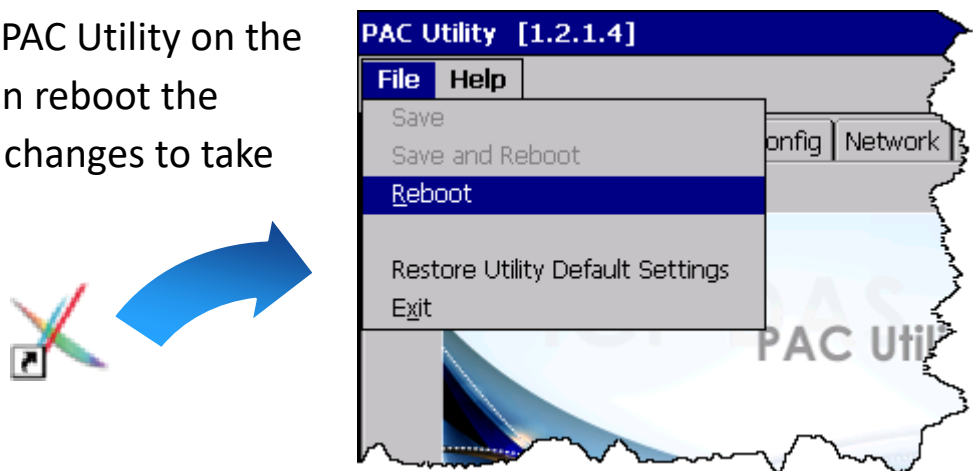
- 1) Click Start menu, point to Settings, click Control Panel, and then click Regional Settings



- 2) Click User Interface Language tab, choose your local language, and then click OK button



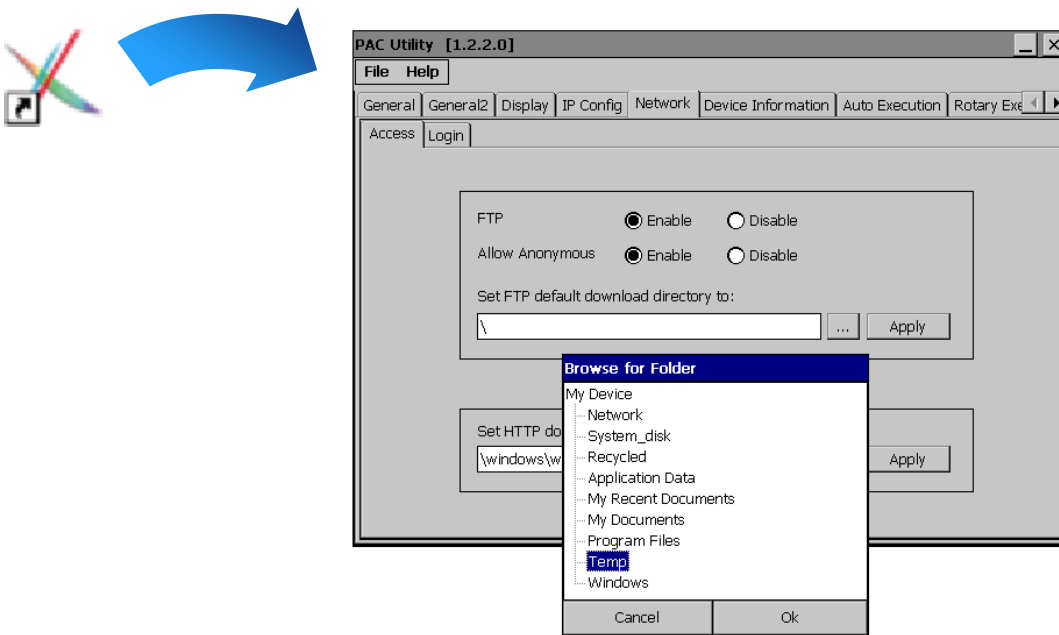
- 3) Double-click the PAC Utility on the desktop, and then reboot the VP-X201-CE7 for changes to take effect



5 Using PAC Utility to Manage the VP-X201-CE7

The PAC Utility is a collection of the VP-X201-CE7 system tool that allows users to manage and configure the VP-X201-CE7 quickly and easily.

- 1) Double-click the PAC Utility on the desktop
- 2) Configure IP address (DHCP), FTP Server, Auto Execution files..., etc



- 3) Reboot the VP-X201-CE7

